

V 151

Positive displacement internal gear pump



Indicative picture of the product

Product Data

Capacity
Up to 1.994 l/min

Pressure
Up to 8 bar

Viscosity
**Up to 60.000 cSt
for standard versions**

Temperature
Up to 300°C

Characteristics

The V Series internal gear volumetric pumps, standard versions, are designed to handle clean fluids (including abrasive fluids) with viscosity from 20 to 60.000 cSt. Higher viscosities can also be managed by V Series pumps with:

- accurate size selection
- fluid-specific rotation speed adjustment
- clearances adjustments and specific construction

Designed for heavy and demanding duties, they are used in all industrial applications where gentle management of viscous, sensitive and challenging products is required. V Series rotary volumetric pumps ensure flow rates are proportional to the rotational speed and allow constant pulsation-free flows, regardless of the back pressure; setups with frequency variators ensure accurate and variable flow rates based on feedback signals coming from control devices (flow rate, pressure, mass, level, etc.). Volumetric rotary pumps with internal gears allow reversible rotation and different ports orientation, for maximum installation versatility and flexibility.

Advantages

- 1 Simple design.** Only two moving parts: rotor and idler gears, and only one shaft seal.
- 2 Reliable, robust and built for long life.** Perfect handling of medium-high viscosity fluids, low peripheral speeds of the rotor, an external support with a large-sized roller bearing to support axial and radial loads in order to ensure a longer service life.
- 3 Simple and minimal maintenance.** Inspections and adjustments can be carried out without removing the pump, piping or drive.
- 4 Reversibility.** By inverting the direction of rotation the flow of liquid is reversed. Full performance is available in either direction of flow.
- 5 Preheating.** Heating chambers cast around the casing or integrated in the cover and on the seal housing, allowing high viscosities accurate control.
- 6 Constant flow.** directly proportional to the rotational speed and virtually independent of the pressure. Smooth pulsation-free flow, preventing pressure spikes which could cause vibrations in the pipework.
- 7 Gentle handling of shear-sensitive fluids.** Thanks to low rotation speed and wider cavities between gear teeth, any alterations of viscous and sensitive products are avoided.

Applications *(some type of fluids)*

Resins, polymers
Polyurethane foams (isocyanate and polyol)
Glues, adhesives, sealants
Plastic materials, rubbers, compounds for coatings
Paints, inks, dyes and synthetic pigments
Soaps, surfactants, cleaning products
Bitumen, pitch, tar
Food production fluids such as molasses, dextrose, glycerin, lecithin, syrups, chocolate, peanut butter, vegetable oils, starches, animal feed, animal fats, pet food
Fertilizers
Lubricating fuel oils
Additives
Alcohols and solvents
Glycol

Certifications

ATEX 2014/34/EU

V 151 - PERFORMANCES BASED ON VISCOSITY AND WORKING PRESSURE

Displacement liters/rev	Viscosity mm ² /s (cSt)	Giri (max)* rpm	Pressure (bar)			
			2	4	6	8
6,5	20	315	12,0 / 1.984	19,0 / 1.921	26,0 / 1.857	33,0 / 1.794
	60	315	13,0 / 1.994	20,0 / 1.940	26,4 / 1.886	33,2 / 1.832
	200	280	11,5 / 1.776	17,6 / 1.732	23,7 / 1.687	30,0 / 1.643
	600	245	12,0 / 1.558	17,0 / 1.523	22,0 / 1.886	28,0 / 1.435
	2.000	200	12,0 / 1.275	16,0 / 1.251	21,0 / 1.226	25,0 / 1.201
	6.000	170	13,0 / 1.072	17,0 / 1.072	21,0 / 1.056	24,0 / 1.040
	20.000	125	11,7 / 805	14,7 / 797	17,6 / 789	20,5 / 781
	60.000	100	12,3 / 648	15,0 / 645	17,2 / 643	19,5 / 640

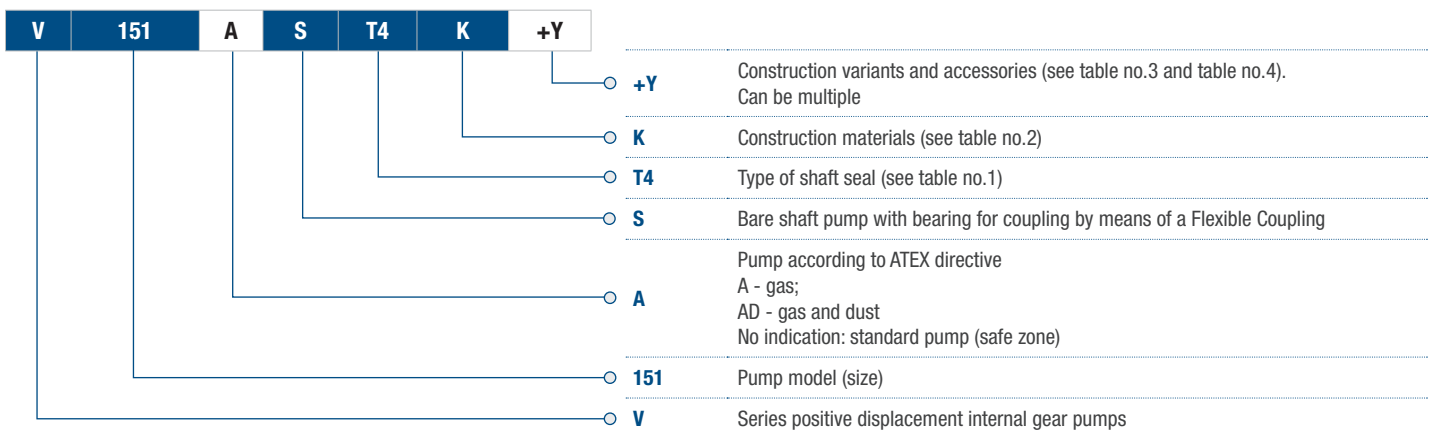
*Max allowed speed - based only on the viscosity of the pumped fluid.

Select correct maximum speed value considering all the other chemical-physical characteristics of the pumped fluid.

V 151 - TYPE AND POSITION OF SUCTION AND DISCHARGE PORTS - WEIGHTS - WORKING TEMPERATURES

Suction and discharge ports		Port position		Weight (kg)	Max Temperature fluid [°C] (depending on the type of mechanical seal selected)
Type	Measure	Cast iron pump	Carbon steel and stainless steel pump	Depending on pump version	
EN - EN 1092-2 CAST IRON EN 1092-1 STAINLESS STEEL TYPE B (R.F.) or TYPE A (F.F)	DN150 PN16	Non disponibili	90°	390	200
ANSI - ANSI B16.1 CAST IRON CLASS 125 R.F. o F.F. ANSI B16.5 STAINLESS STEEL CLASS 150 R.F. o F.F.	6"	Non disponibili	90°		Depending on the type of seal

V 151 - PRODUCT DESCRIPTION



Key:

■ highlighted backgrounds: always present in the pump naming

□ backgrounds not highlighted: construction variants and accessories

TABLE 1 - SHAFT SEALING

P	Packing gland
P1	Flushed packing gland. For ATEX pumps' versions, this option is mandatory and specifies a construction with a thermocouple well (no flushing).
P...-RAD	Lip Ring Seal - Not available.
T4 (T6)	UNI EN 12756 standard dimension mechanical seal. Graphite/ceramic with PTFE gaskets. A PTFE lip seal is mounted behind the main seal to contain a barrier liquid (Quench). On request, a quench liquid reservoir (+O2). For the V 25-2 and V 30-2, the denomination is T5
T4W (T6W)	UNI EN 12756 standard dimension mechanical seal. Tungsten or silicon carbide/ceramic with PTFE gaskets. A PTFE lip seal is mounted behind the main seal to contain a barrier liquid (Quench). On request, a quench liquid reservoir (+O2) can be supplied. For the V 25-2 and V 30-2, the denomination is T5W.
T7*	Double tandem mechanical seal (not available on V 25-2 and V 30-2)
T8*	Double back-to-back mechanical seal

* The seal materials and lubrication system are decided on case by case depending on the chemical and physical characteristics of the liquids

TABLE 2 - MATERIAL

No key	Cast iron with bronze bushes. For lubricating and non lubricating liquids. - Not available.
G	Cast iron construction with cast iron bushes. For lubricant and non-lubricant fluids. - Not available.
BS	Cast iron with graphite bushes. Tight tolerances. Idler with special antigalling treatment. AISI 329 or SAF 2205 steel shaft and idler pin. Suitable for all types of solvents, including chlorinated solvents, which do not corrode cast iron - Not available.
HT	In ductile iron with internal bronze bushes for circulating heat transfer oil up to +300°C. - Not available.
HTR	Ductil cast iron construction with bronze bushes for the circulation of fluids up to +300°C. Construction suitable for hot bitumen, tar, and pitch. Heating jacket formed by casting around the pump casing. - Not available.
K	CF-8M construction (stainless steel AISI 316). Graphite bushes (for liquids with viscosity up to 10,000 cSt). For higher viscosities or abrasive fluids, use pumps with +B options (bronze bushes).
AW	Construction in hardened steel with bronze or graphite bushes. - Request feasibility.

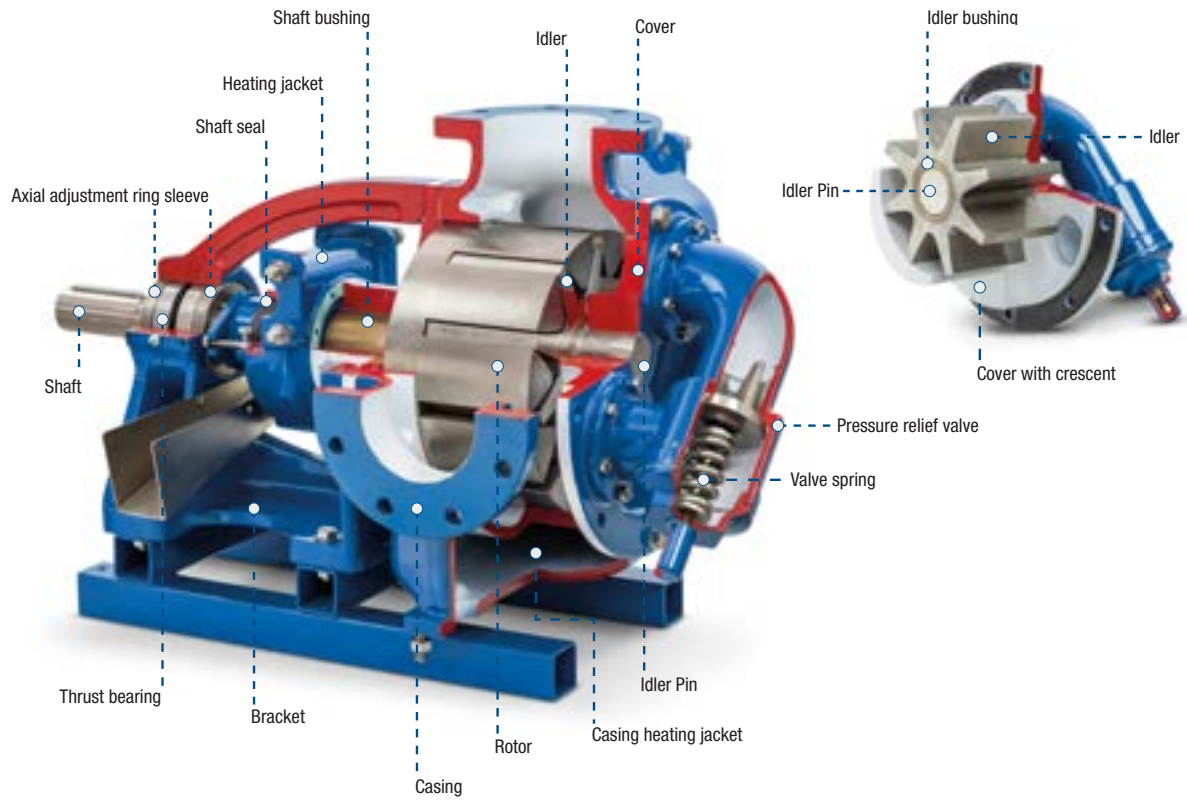
TABLE 3 - EXECUTIONS

A - AD	ATEX version; A = gas; AD = gas and dust (for pumps with mechanical seal, the +O2 barrier fluid containment tank is included)
+FR	EN 1092 type B flanges on suction and discharge ports (inquire for availability on other connections).
+FA	ANSI 125/150 FF flanges on suction and discharge ports (inquire for availability on other connections).
+FAR	ANSI 125/150 RF flanges on suction and discharge ports (inquire for availability on other connections).
+R2	Heating (or cooling) jacket on the cover
+B	Bronze bushes (where not present on standard version)
+W	Mechanical seal static face in tungsten carbide or silicon carbide (see table 1 - T4 - T4W - T6 - T6W).
+K33	Hardened components (only for stainless steel pumps) - Request feasibility.
+X	Special construction (possible additional description in specific document)

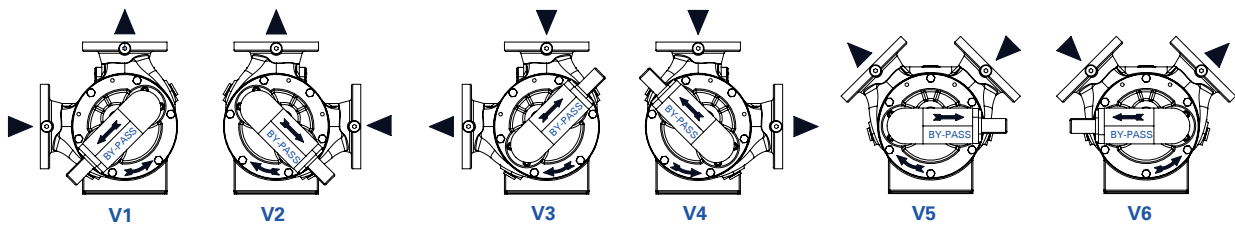
TABLE 4 - OPTIONALS

+O2	With quench liquid reservoir (included for ATEX pumps)
+O2X	Pressure vessel for double mechanical seals ST8 (API PLAN 53A - Refer to specific documents)
+Y	Pressure relief valve - Calibration for standard pressures (from 1 to 8 bar).
+PT	Thermowell for ATEX pump (to be evaluated for ATEX version as indicated in the manual)
+TC	Thermocouple for ATEX pump (to be evaluated for ATEX version as indicated in the manual)
+X	Special construction (possible additional description in specific document)

*The use of some types of variants and accessories excludes others; if in doubt, contact the office.



V 151 PUMP MODEL - PORT POSITION: 90°



STANDARD POSITIONING: V1

V 151 MODEL - PORT POSITION: 90° - BARE SHAFT PUMP FOR ELASTIC COUPLING (S) WITH PACKING GLAND (P)								
Standard version	Casing	Cover	Rotor	Idler	Idler Pin	Shaft	Bushings	Packing gland
V 151 SPK PUMP	ASTM A351 CF8M STAINLESS STEEL	ASTM A351 CF8M STAINLESS STEEL	ASTM A351 CF8M STAINLESS STEEL	ASTM A351 CF8M STAINLESS STEEL	AISI 329 STAINLESS STEEL	AISI 329 STAINLESS STEEL	GRAPHITE	PTFE
V 151 MODEL - PORT POSITION: 90° - BARE SHAFT PUMP FOR ELASTIC COUPLING (S) WITH SINGLE MECHANICAL SEAL (T4-T4W)								
Standard version	Casing	Cover	Rotor	Idler	Idler Pin	Shaft	Bushings	Seal
V 151 ST4K PUMP	ASTM A351 CF8M STAINLESS STEEL	ASTM A351 CF8M STAINLESS STEEL	ASTM A351 CF8M STAINLESS STEEL	ASTM A351 CF8M STAINLESS STEEL	AISI 329 STAINLESS STEEL	AISI 329 STAINLESS STEEL	GRAPHITE	GRAPHITE - CERAMIC - PTFE - STAINLESS STEEL
V 151 ST4WK PUMP	EN 1563 EN-GJS-500 DUCTILE CAST IRON	ASTM A351 CF8M STAINLESS STEEL	ASTM A351 CF8M STAINLESS STEEL	ASTM A351 CF8M STAINLESS STEEL	AISI 329 STAINLESS STEEL	AISI 329 STAINLESS STEEL	GRAPHITE	GRAPHITE - CERAMIC - PTFE - STAINLESS STEEL
V 151 ST4WK PUMP	EN 1563 EN-GJS-500 DUCTILE CAST IRON	ASTM A351 CF8M STAINLESS STEEL	ASTM A351 CF8M STAINLESS STEEL	ASTM A351 CF8M STAINLESS STEEL	AISI 329 STAINLESS STEEL	AISI 329 STAINLESS STEEL	GRAPHITE	GRAPHITE - CERAMIC - PTFE - STAINLESS STEEL
V 151 ST4AT PUMP	ASTM A217 WC6 CARBON STEEL	ASTM A217 WC6 CARBON STEEL	ASTM A217 WC6 CARBON STEEL	ASTM A217 WC6 CARBON STEEL	18NiCrMo5 EN 10084 CARBON STEEL	18NiCrMo5 EN 10084 CARBON STEEL	GRAPHITE	GRAPHITE - CERAMIC - PTFE - STAINLESS STEEL
V 151 MODEL - PORT POSITION: 90° - BARE SHAFT PUMP FOR ELASTIC COUPLING (S) WITH DOUBLE MECHANICAL SEAL (T8)								
Standard version	Casing	Cover	Rotor	Idler	Perno	Shaft	Bushings	Seal
V 151 ST8K PUMP	ASTM A351 CF8M STAINLESS STEEL	ASTM A351 CF8M STAINLESS STEEL	ASTM A351 CF8M STAINLESS STEEL	AISI 329 STAINLESS STEEL	AISI 329 STAINLESS STEEL	AISI 329 STAINLESS STEEL	GRAPHITE	GRAPHITE - CERAMIC - PTFE - STAINLESS STEEL

Contact factory for availability of 180° ports position versions.

DIMENSIONS FOR 90° PORTS POSITIONING VERSION

V 151 K

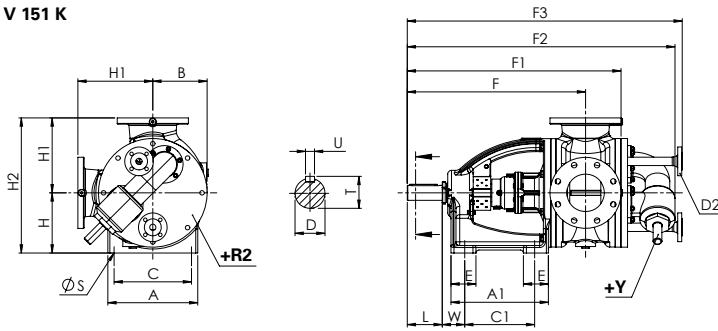


TABLE FOR 90° PORTS POSITIONING VERSION

	A		A1		C		C1		E		ØS		W		L		H		H1	
	mm	in	mm	in	mm	in	mm	in	mm	in	mm	in	mm	in	mm	in	mm	in	mm	in
V 151 K	360	14.2	390	15.4	310	12.2	280	11.0	100	3.9	24	0.9	91	3.6	140	5.5	241	9.5	300	11.8

	H2		B		F		F1		F2		F3		Dj6		T		U		D2	
	mm	in	mm	in	mm	in	mm	in	mm	in	mm	in	mm	in	mm	in	mm	in	mm	in
V 151 K	541	21.3	217	8.5	715	28.1	870	34.3	1048	41.3	1102.5	43.4	60	2.4	64	3	18	0.7	DN25	DN25